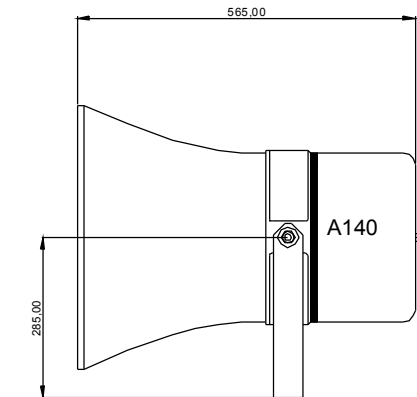
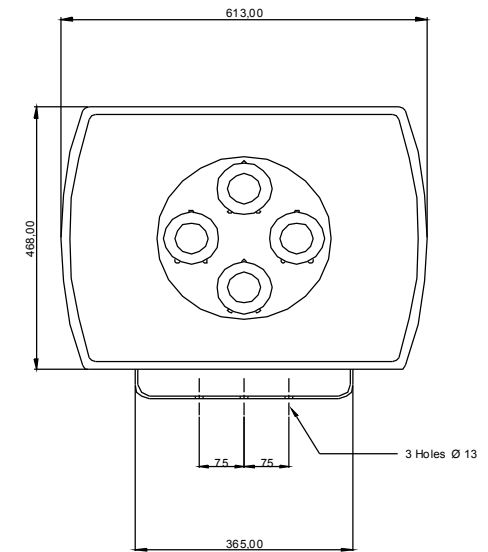
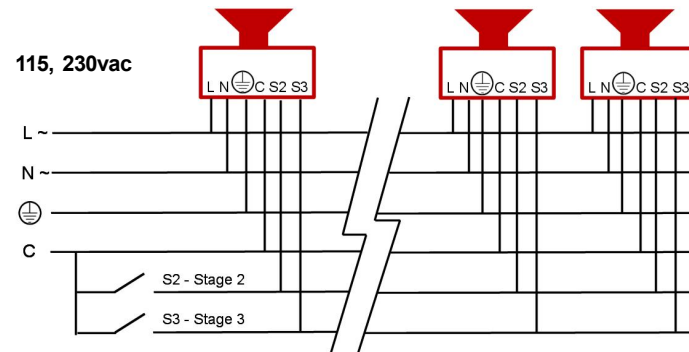
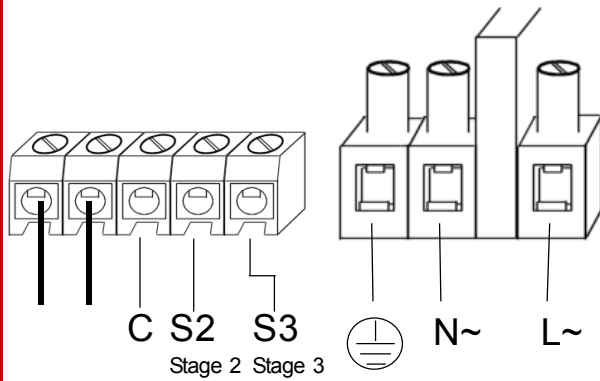
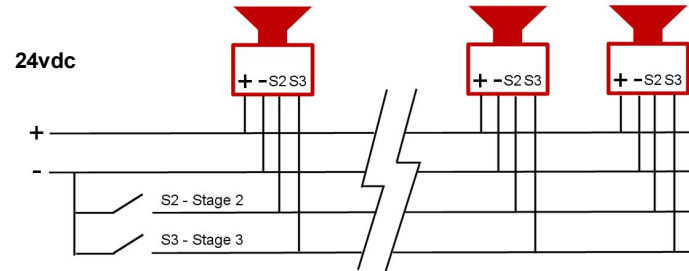
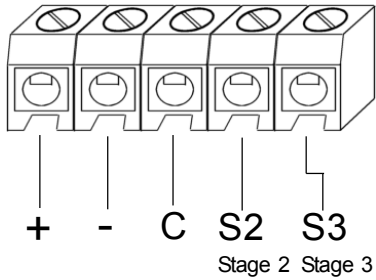




A140 - 32 Tone Disaster Alarm



Voltage :	24vdc	115vac	230vac
		50/60Hz	50/60Hz
Voltage range :	21-28vdc	+/-10%	+/-10%
Current mA :	8A	2A	1A



- Tone Selection
- Sélection de la tonalité
- Tonwahl
- Selezione tono
- Seleção de tons
- Selección Tono
- Válg af tone
- Toonselectie
- Velge tone
- Tonval

Stage 1	Frequency Description.	Switch						Stage 2 (S2)	Stage 3 (S3)
		1	2	3	4	5	6		
Tone 1	340 Hz Continuous							Tone 2	Tone 5
Tone 2	800/1000Hz @ 0.25 sec Alternating	■						Tone 17	Tone 5
Tone 3	500/1200Hz @ 0.3Hz 0.5 sec Slow Whoop		■					Tone 2	Tone 5
Tone 4	800/1000Hz @ 1Hz Sweeping		■	■				Tone 6	Tone 5
Tone 5	2400Hz Continuous					■		Tone 3	Tone 20
Tone 6	2400/2900Hz @ 7Hz Sweeping		■					Tone 7	Tone 5
Tone 7	2400/2900Hz @ 1Hz Sweeping		■	■				Tone 10	Tone 5
Tone 8	500/1200/500Hz @ 0.3Hz Sweeping		■	■				Tone 2	Tone 5
Tone 9	1200/500Hz @ 1Hz - DIN / PFEER P.T.A.P.						■	Tone 15	Tone 2
Tone 10	2400/2900Hz @ 2Hz Alternating		■					Tone 7	Tone 5
Tone 11	1000Hz @ 1Hz Intermittent						■	Tone 2	Tone 5
Tone 12	800/1000Hz @ 0.875Hz Alternating		■					Tone 4	Tone 5
Tone 13	2400Hz @ 1Hz Intermittent						■	Tone 15	Tone 5
Tone 14	800Hz 0.25sec on, 1 sec off Intermittent		■					Tone 4	Tone 5
Tone 15	800Hz Continuous		■	■				Tone 2	Tone 5
Tone 16	660Hz 150mS on, 150mS off Intermittent		■	■				Tone 18	Tone 5
Tone 17	544Hz (100mS)/440Hz (400mS) - NF S 32-001						■	Tone 2	Tone 27
Tone 18	660Hz 1.8sec on, 1.8sec off Intermittent		■					Tone 2	Tone 5
Tone 19	1.4KHz-1.6KHz 1s, 1.6KHz-1.4KHz 0.5s -NFC48-265		■					Tone 2	Tone 5
Tone 20	660Hz Continuous		■	■				Tone 2	Tone 5
Tone 21	554Hz/440Hz @ 1Hz Alternating						■	Tone 2	Tone 5
Tone 22	544Hz @ 0.875 sec. Intermittent		■					Tone 2	Tone 5
Tone 23	800Hz @ 2Hz Intermittent		■	■				Tone 6	Tone 5
Tone 24	800/1000Hz @ 50Hz Sweeping		■	■				Tone 29	Tone 5
Tone 25	2400/2900Hz @ 50Hz Sweeping		■	■				Tone 29	Tone 5
Tone 26	Bell		■	■				Tone 2	Tone 15
Tone 27	554Hz Continuous						■	Tone 26	Tone 5
Tone 28	440Hz Continuous		■					Tone 2	Tone 5
Tone 29	800/1000Hz @ 7Hz Sweeping		■	■				Tone 7	Tone 5
Tone 30	300Hz Continuous						■	Tone 2	Tone 5
Tone 31	660/1200Hz @ 1Hz Sweeping		■	■				Tone 26	Tone 5
Tone 32	Two tone chime.		■	■				Tone 26	Tone 15

Tone Selection / switch setting.

- Switch settings are shown in the tone table. Black squares are the switch levers in the ON position.
- Les réglages des commutateurs sont indiqués sur le tableau de tonalités. Les carrés noirs représentent les leviers des commutateurs en position MARCHE (ON).
- Die Schaltereinstellungen sind in der Tabelle der Töne angegeben. Die schwarzen Quadrate kennzeichnen die Ein-Positionen der Schalter.
- Le impostazioni degli interruttori sono mostrate nella tabella dei segnali acustici. I riquadri neri indicano le leve degli interruttori nella posizione ON.
- Los ajustes de interruptor se muestran en la tabla de tonos. Los cuadros negros representan las palancas de los interruptores en la posición ON.
- Os ajustes dos interruptores estão indicados na tabela de sons. Os quadrados pretos indicam que as alavancas dos interruptores estão na posição LIGADA.
- Kontaktilindstillingerne fremgår af toneskemaet. Et sort felt betyder, at kontakten er aktiv ("ON").
- De schakelinstellingen staan vermeld in de toontabel. Zwarte vierkanten zijn de schakelaars in de stand AAN.
- Bryterinnstillinger er beskrevet i tonetabellen. De svarte firkantene indikerer bryterposisjonene i PÅ- posisjon.
- Brytarinställningarna visas i signaltabellen. De svarta fyrkanterna är brytarna i ON-läge.



140dB(A)@1m.



ATTENTION

- Disconnect from power source to prevent electrical shock before installing and servicing
- Couper l'alimentation pour empêcher tout choc électrique avant d'effectuer des travaux d'installation et d'entretien.
- Vor der Installation und Wartung von der Spannungsquelle abnehmen, um elektrische Schläge zu vermeiden.
- Prima dell'installazione e della manutenzione spegnere l'alimentazione elettrica per evitare scosse elettriche.
- Des conecte la alimentación para evitar descargas eléctricas antes de la instalación y mantenimiento
- Antes de instalar ou de fazer a manutenção desligue sempre da alimentação elétrica para evitar choques elétricos.
- Strømmen skal afbrydes ved installering og eftersyn for at undgå elektrisk stød.
- Los koppelene van de elektriske voeding om elektriske schok vóór installatie en onderhoud te voorkomen.
- Før monteringen eller vedlikehold, må spenningen koples fra for å unngå strømstøt.
- Bryt strømmen innan installation och underhåll för att förhindra elektriska stötar stötar.